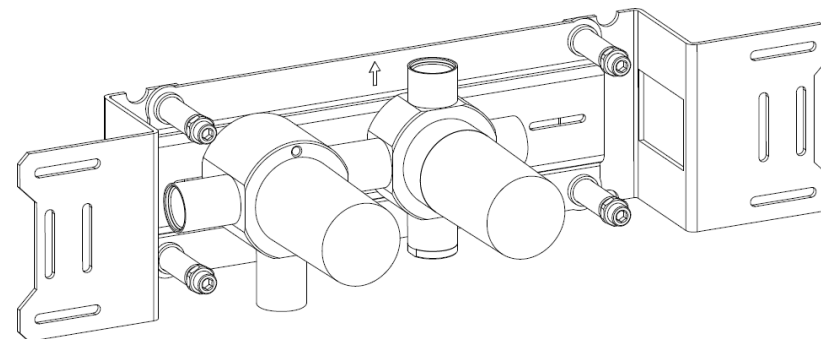


by COCOON



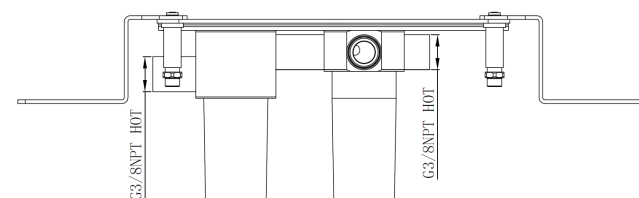
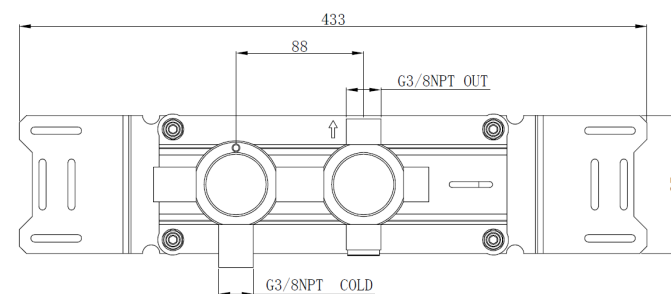
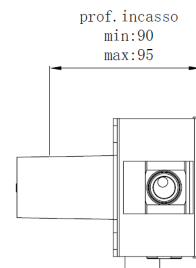
BOX - 14 - USA



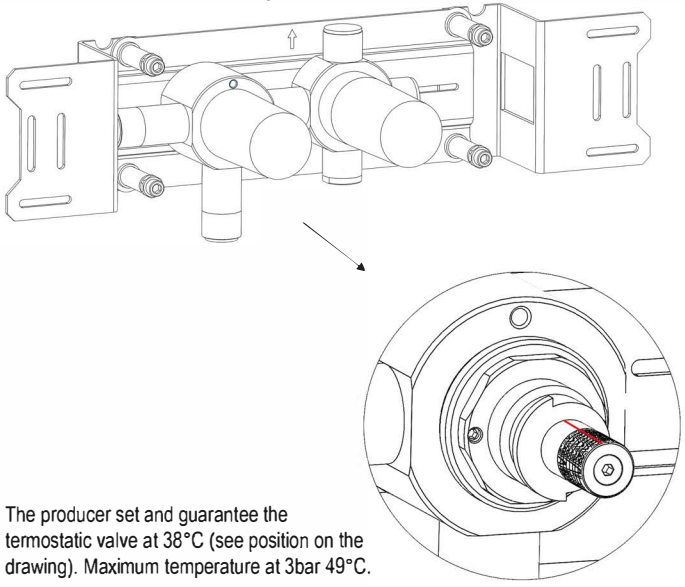
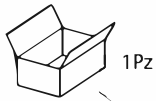
**Please ensure you comply with the following instructions to optimise performance of the mixer:**

- All pipework must be thoroughly flushed prior to installation
- For USA installation, please fix the USA NPT adapters on top of the pre-installed water connections
- Always first test the system with water pressure before closing the walls
- Optimal water pressure 3 BAR / temperature should not exceed 65°C/149°F
- Please read all installation instructions carefully

**Failure to comply with manufacturers recommendations will void warranty**

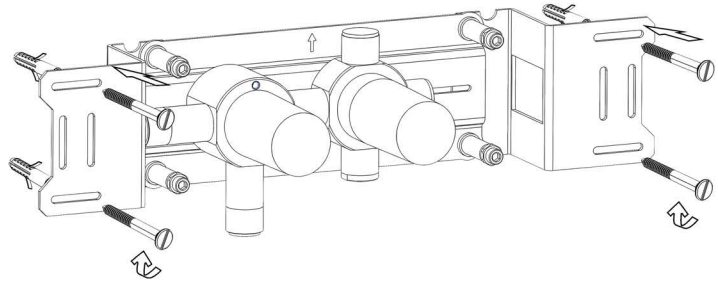


1

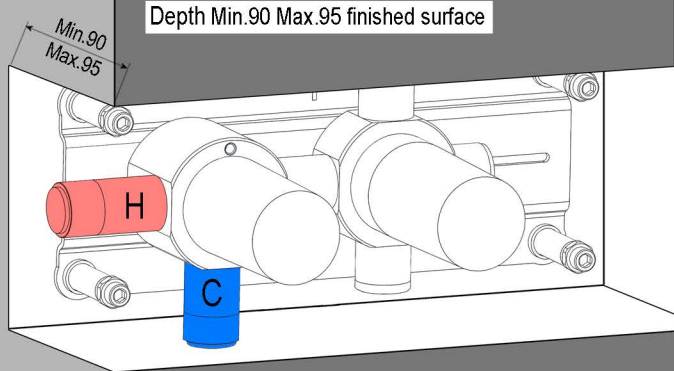


The producer set and guarantee the thermostatic valve at 38°C (see position on the drawing). Maximum temperature at 3bar 49°C.

2

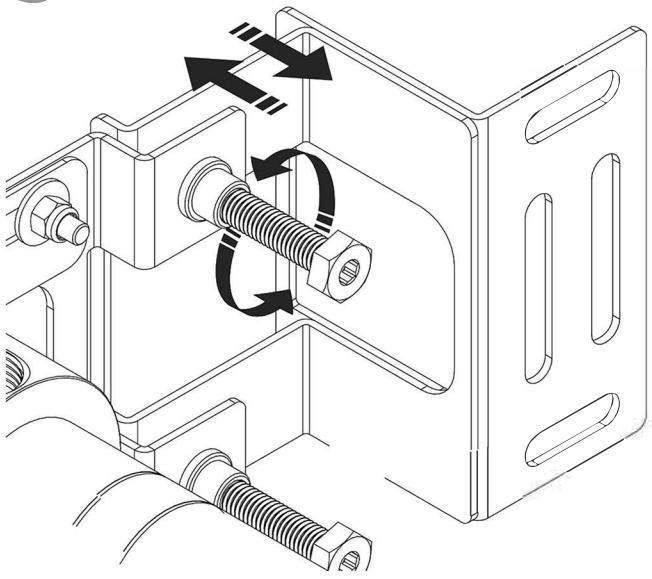


3

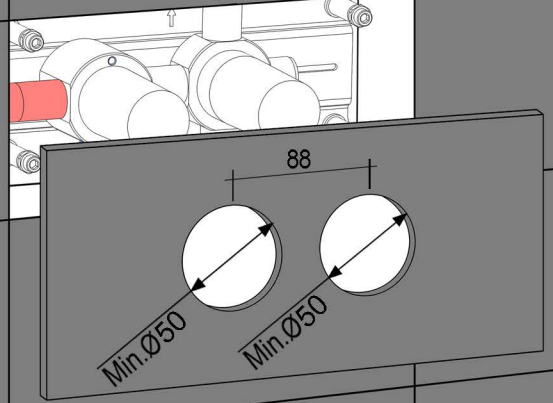


Connect and test the plant (3bar)

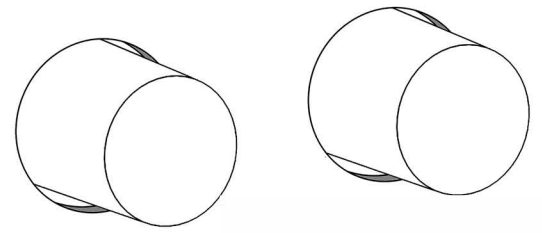
4



5



6



BOX-14-USA